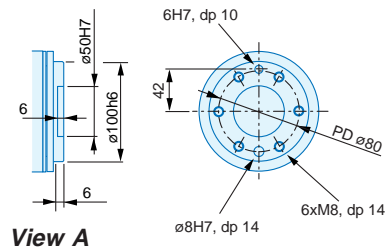
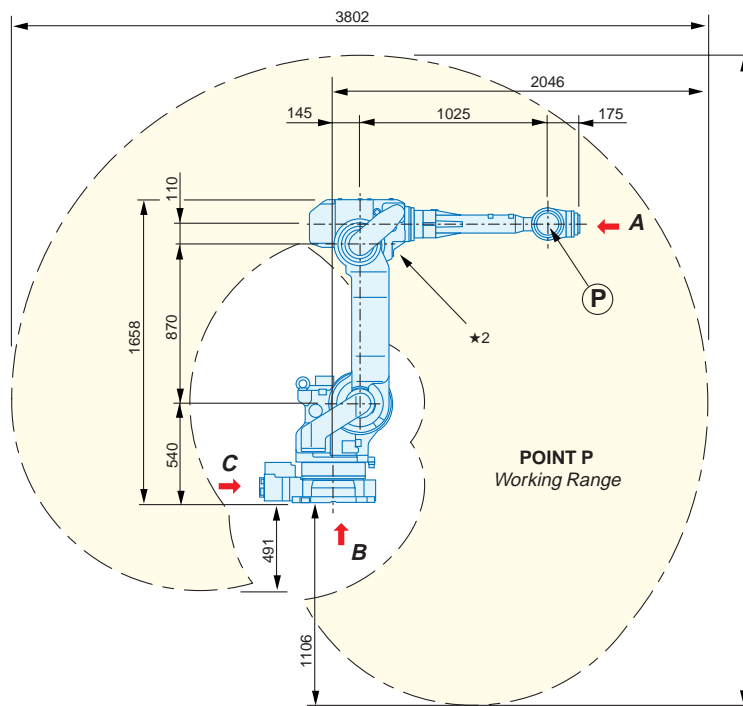


Industrial Robot **MOTOMAN-UP50**

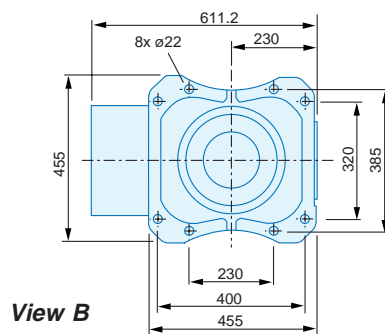


Suitable applications

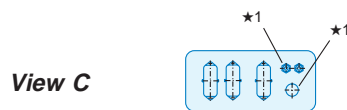
- *Handling*
- *Assembling*
- *Packaging/Palletising*
- *Grinding/Polishing*
- *Gluing/Sealing*
- *Cutting/Deburring*
- *Spraying/Painting*
- *Machine tending*



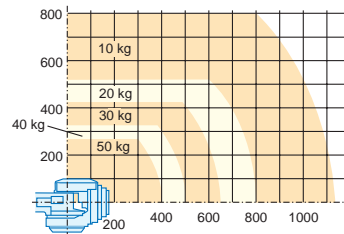
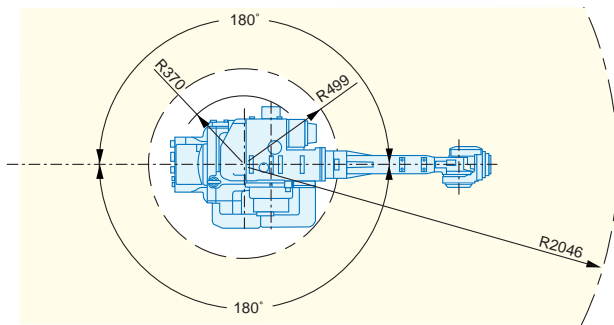
View A



View B



View C



★	Air duct connector	Signal connector
1	1x PT 3/8, tap	23x wires + PE
2	1x PT 3/8, tap	23x wires + PE

Specifications

Controlled Axes	6	
Payload	50 kg	
Repetitive Positioning Accuracy	±0.07 mm	
Motion Range	S-axis (turning)	±180°
	L-axis (lower arm)	+135°, -90°
	U-axis (upper arm)	+280°, -160°
	R-axis (wrist roll)	±360°
	B-axis (wrist pitch)	±125°
Maximum Speed	T-axis (wrist twist)	±360°
	S-axis	170°/s
	L-axis	170°/s
	U-axis	170°/s
	R-axis	250°/s
	B-axis	250°/s
	T-axis	350°/s

Weight	550 kgs	
Power Supply	5,0 kVA	
Allowable Moment	R-axis	196 Nm (20 kgf·m)
	B-axis	196 Nm (20 kgf·m)
	T-axis	127 Nm (13 kgf·m)
Allowable Inertia	R-axis	13 kg·m ²
	B-axis	13 kg·m ²
	T-axis	5,5 kg·m ²
Ambient Conditions	Temperature	0 to 45°C
	Rel. Humidity	20 to 80% RH
	Vibration	0.5G or less
Others	<ul style="list-style-type: none"> • IP67 (wrist unit) • Free from excessive electrical noise. • Free from corrosive gas or liquid, or explosive gas. 	



MOTOMAN ROBOTICS EUROPE AB

a YASKAWA company

Box 504 • SE-385 25 Torsås • Sweden
 Tel: +46-486-48800 • Fax: +46-486-41410
 www.motoman.se

Group Companies: **France:** MOTOMAN Robotics, Nantes +33-2-40131919, **Germany:** MOTOMAN Robotec, Allershausen +49-8166-90-0 • MOTO-MAN Robotec, Frankfurt +49-6173-6077-30, **Great Britain:** MOTOMAN Robotics, Banbury +44-1295-272755, **Italy:** MOTOMAN Robotics, Modena +39-059-280496, **Netherlands:** MOTOMAN Benelux, Breda +31-76-5424278, **Slovenia:** RISTRO, Ribnica +386-61-861113, **Spain:** MOTOMAN Robotics, Barcelona +34-93-6303478, **Sweden:** MOTOMAN Robotics Europe, Torsås +46-486-48800 • MOTOMAN Mecatron Robotic Systems, Kalmar +46-480-444600

Distributors: **Czech Republic:** MGM Spol, Tabor +420-361-254571, **Denmark:** Robia, Vejle +45-79428000, **Finland:** Robia Suomi, Turku +358-22145600, **Greece:** Kouvalias Industrial Robots, Kallithea +30-1-95892436, **Norway:** Robia, Hokksund +47-32252820, **Portugal:** Electro-Arco, Amadora +351-14968160, **Switzerland:** Geiger Handling, Schwarzenburg +41-31-7343111 • Messer SAG, Dällikon +41-18471717